



Audipack®

It's great to have solutions...

FACT SHEET

390975



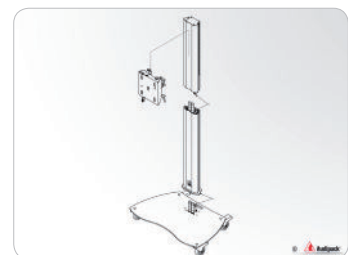
One of the best dividable floor stand on wheels for flat panels up to 60 Kg.

Free standing, dividable and movable floor stand for flat screens. The floor stand is supplied with high quality swivel/break wheels. The quick release feature allows you to install the floor stand and screen on any location without tools.

The floor stand consists of a strong and solid vertical column, supplied with a wide access hatch on the back for power, audio and data cables.

The presentation height of the flat panel is adjustable. This floor stand is suitable for flat panels with a maximum screen size of approx. 65 inch, in landscape or portrait orientation.

- ▲ **High quality swivel/break wheels**
- ▲ **No tools required for installation**
- ▲ **Integrated yet easily accessible cable channel**
- ▲ **Suitable for all brands of flat panels**
- ▲ **Landscape and portrait orientation of the screen**



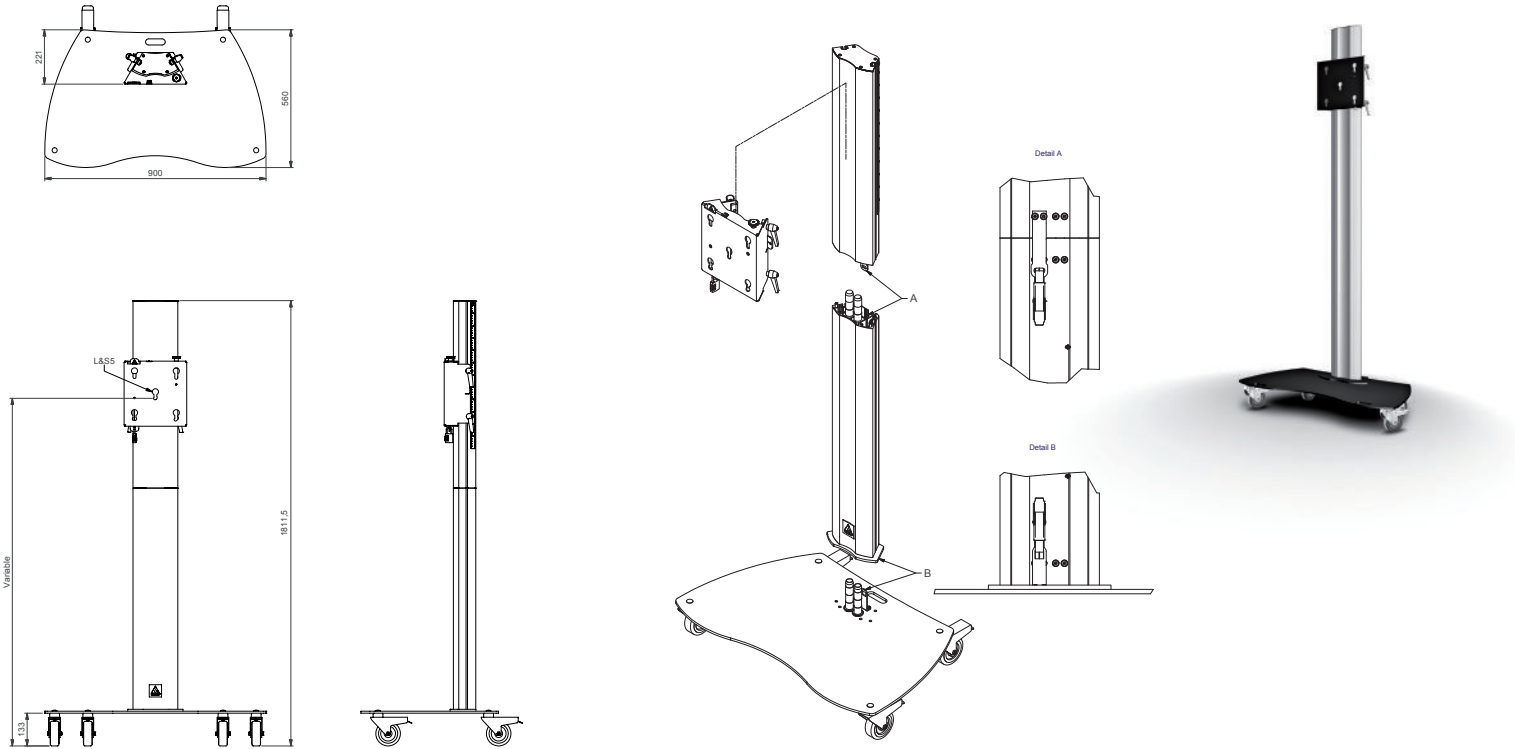


Audipack®

It's great to have solutions...

FACT SHEET

390975



Technical specifications

Dimensions in mm	W900 x D560 x H1812
Max. screen size	65 inch
Max. load	60 Kg
Mounting interface	L&S 5
Colour	Floor plate: Black, RAL 9005 Column: Anodised aluminium
Weight	56 Kg
Screen orientation	Landscape or Portrait

Optional

- Mounting bracket (required for screen installation)
universal models and brand related models available
- Laptop supports, 390915, 390916
- Laptop housings, 390937
- Equipment cabinets, EC-935, EC-936
- Mounting head for multiple screen installation, 390915
- Video conference mounting head, 390969, 390970
- Portrait/Landscape adapter, P3496
- Lock for protect the screen against theft, 230045, 230052